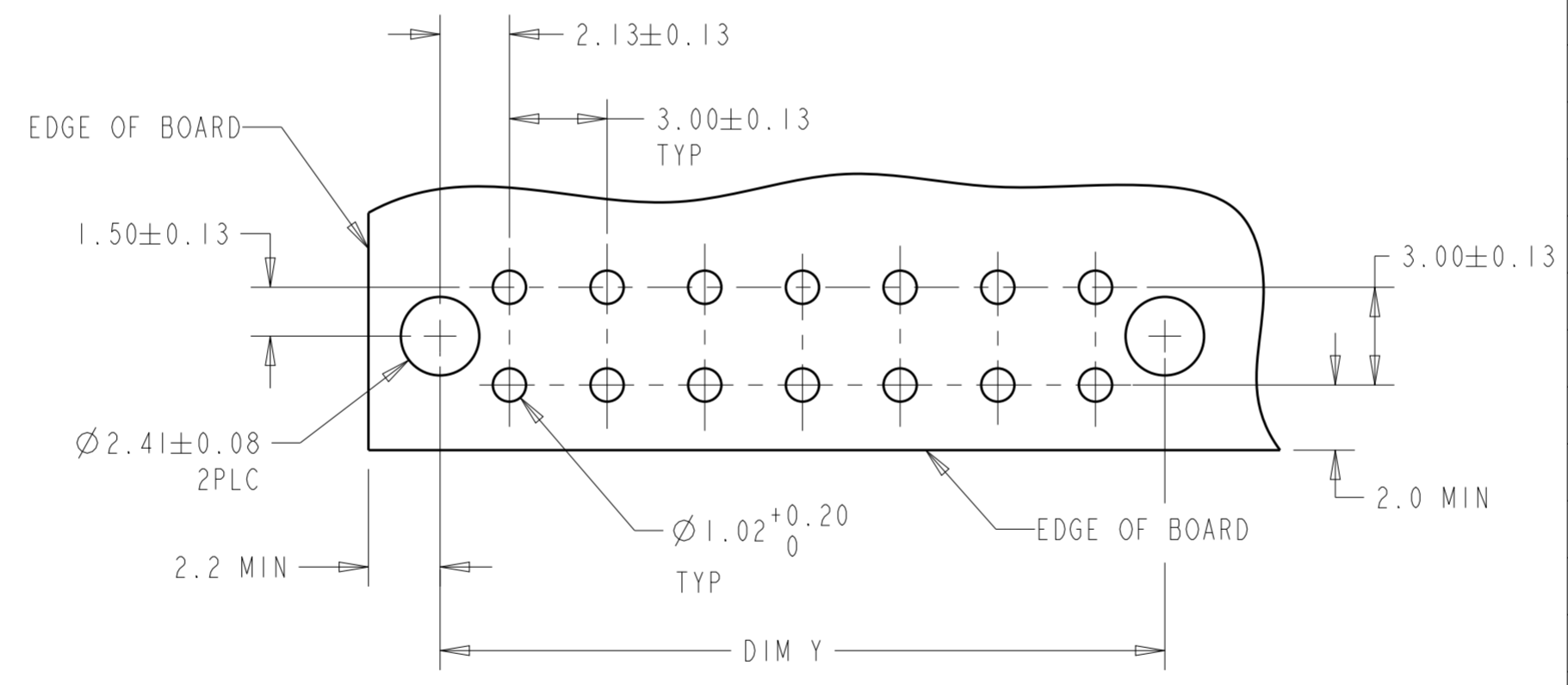
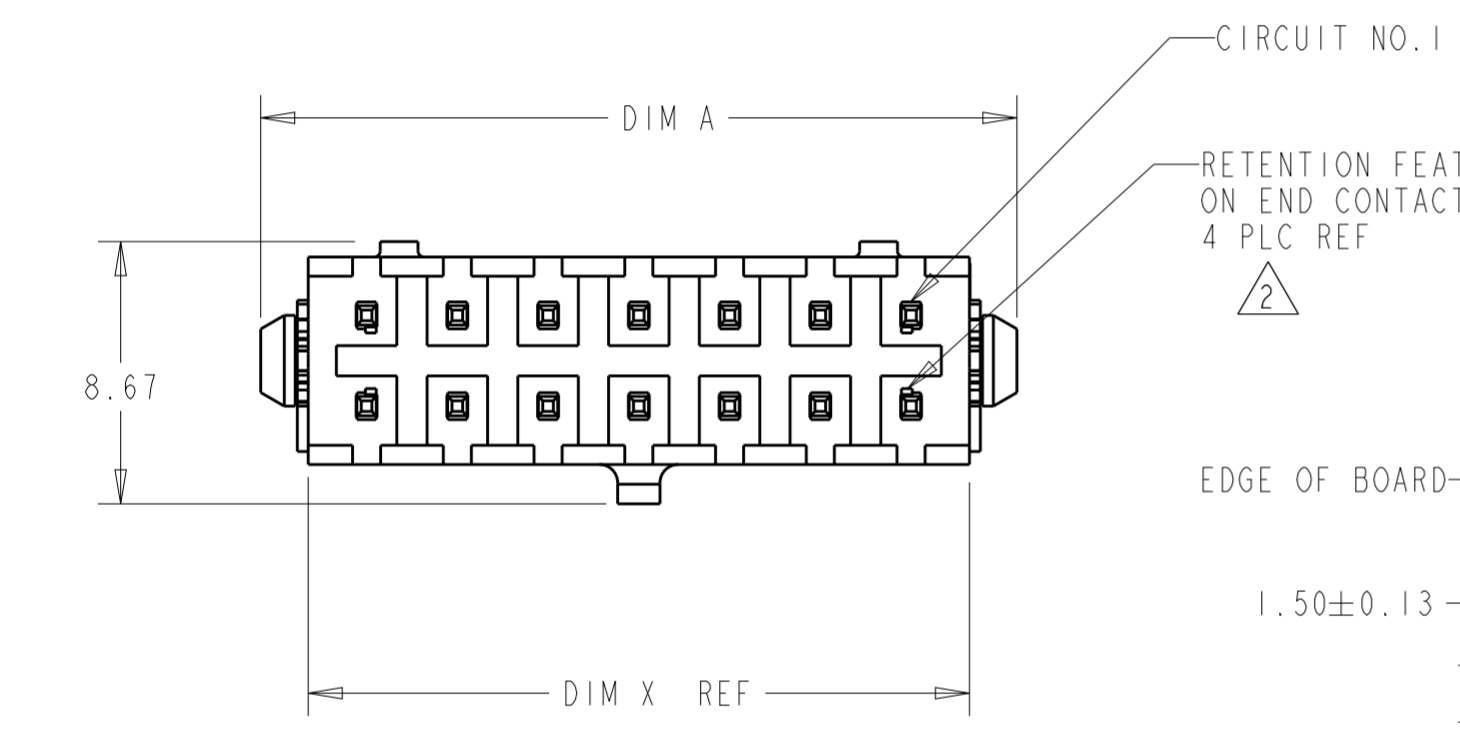
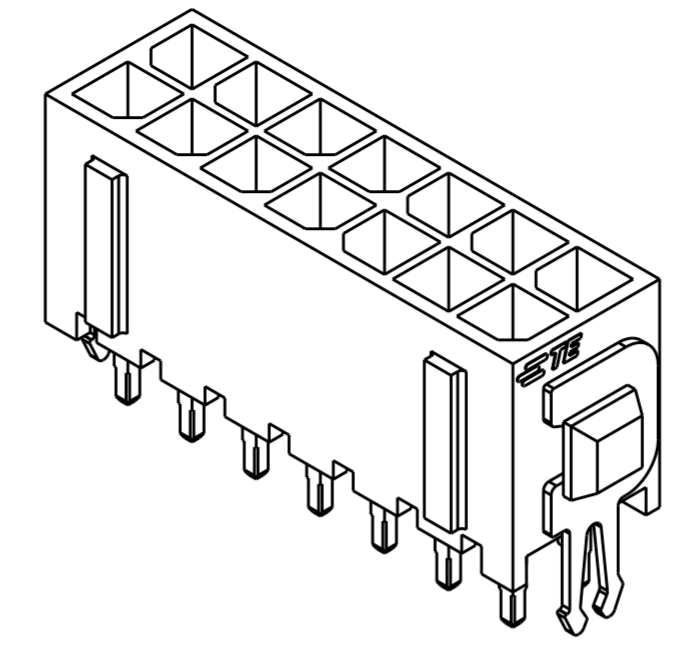
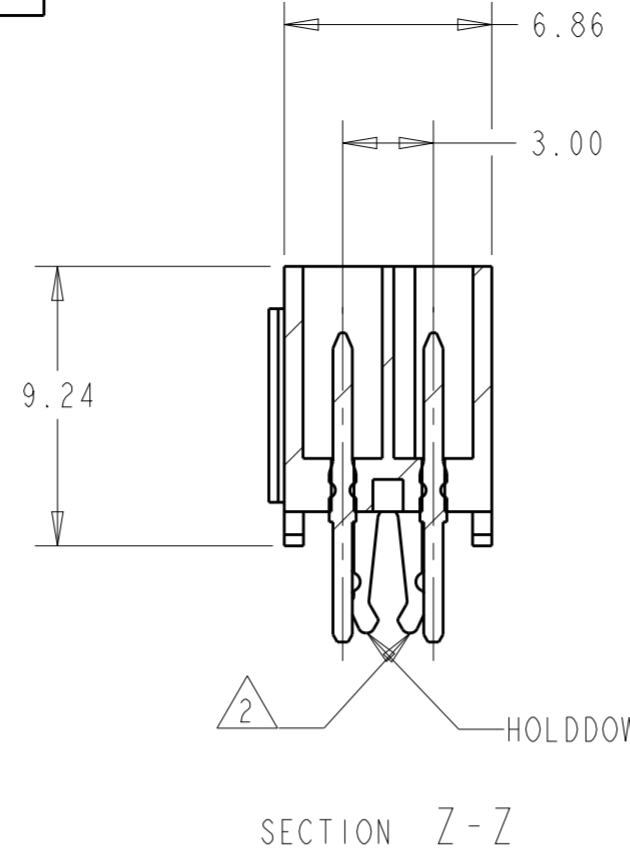
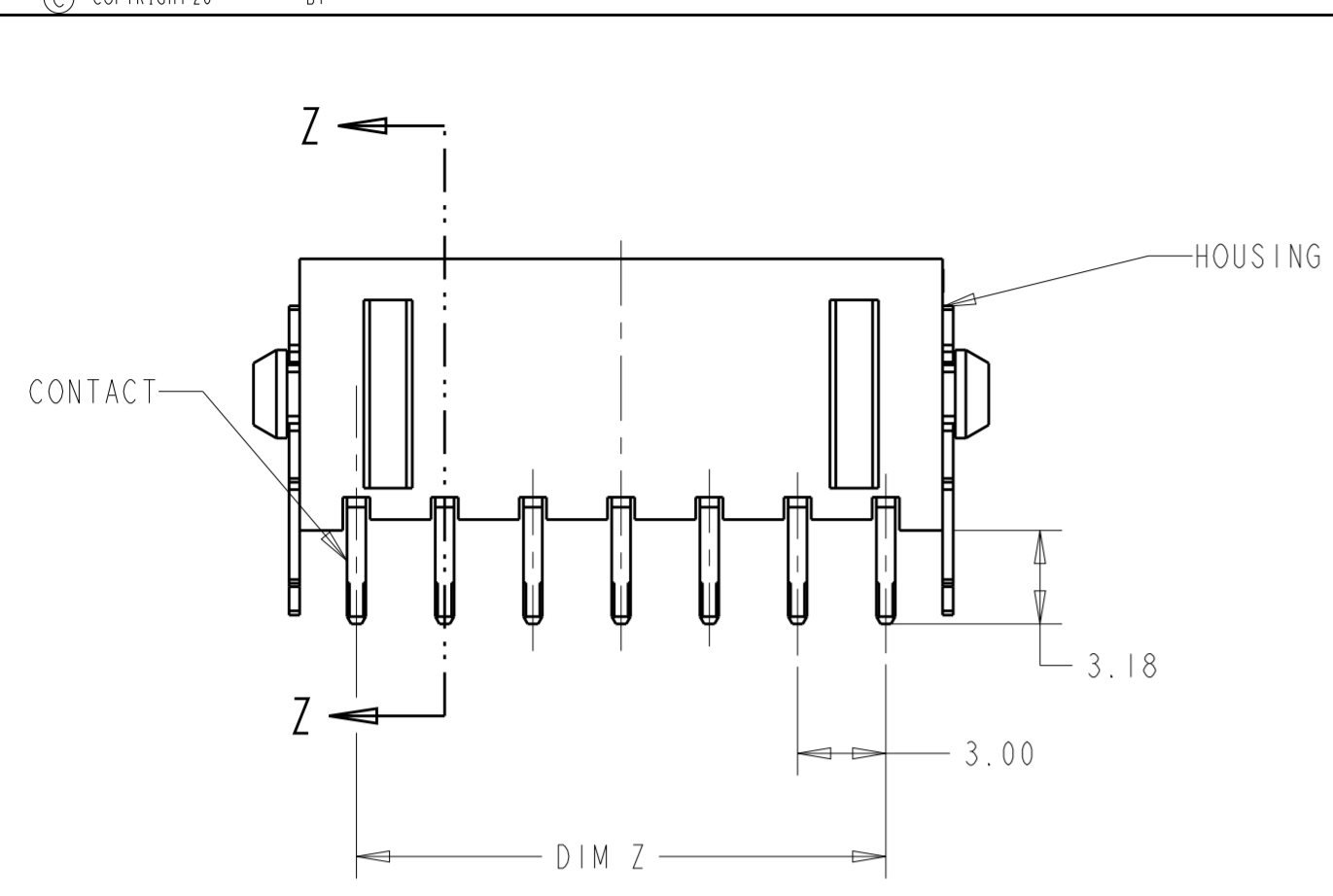


THIS DRAWING IS UNPUBLISHED. RELEASED FOR PUBLICATION  
 © COPYRIGHT 20 BY - ALL RIGHTS RESERVED.

| LOC | DIST | REVISIONS |     |                           |            |     |      |
|-----|------|-----------|-----|---------------------------|------------|-----|------|
| CM  | 00   | P         | LTR | DESCRIPTION               | DATE       | DWN | APVD |
|     |      | F         |     | REVISED PER ECO-15-005484 | 28JULY2015 | SC  | DZ   |



1 MATERIAL: HOUSING - NYLON, UL 94V-0, BLACK.  
 CONTACT - BRASS.  
 0.00038 MINIMUM GOLD OVER 0.00254  
 MINIMUM NICKEL ON MATING AREA. 0.00254  
 TIN-LEAD MINIMUM OVER 0.00254 NICKEL  
 MINIMUM ON SOLDER TAILS.  
 HOLDDOWNS: PHOSPHOE BRONZE, .00254 TIN-LEAD.

2 MAXIMUM INSERTION 30 LBS.

3 RECOMMENDED BOARD THICKNESS 1.57.

4 MATERIAL: HOUSING - NYLON, UL 94V-0, BLACK.  
 CONTACT - BRASS.  
 0.00038 MINIMUM GOLD OVER 0.00254  
 MINIMUM NICKEL ON MATING AREA. 0.00254  
 MATTE TIN MINIMUM OVER 0.00254 NICKEL  
 MINIMUM ON SOLDER TAILS.  
 HOLDDOWNS: PHOSPHOE BRONZE, .00254 MATTE TIN.

| FINISH | DIM A | DIM Z | DIM Y | DIM X | NO. OF POSN. | PART NUMBER |
|--------|-------|-------|-------|-------|--------------|-------------|
| 4      | 40.00 | 33.00 | 37.30 | 36.86 | 24           | 5-794681-4  |
| 4      | 37.00 | 30.00 | 34.30 | 33.86 | 22           | 5-794681-2  |
| 4      | 34.00 | 27.00 | 31.30 | 30.86 | 20           | 5-794681-0  |
| 4      | 31.00 | 24.00 | 28.30 | 27.86 | 18           | 4-794681-8  |
| 4      | 28.00 | 21.00 | 25.30 | 24.86 | 16           | 4-794681-6  |
| 4      | 25.00 | 18.00 | 22.30 | 21.86 | 14           | 4-794681-4  |
| 4      | 22.00 | 15.00 | 19.30 | 18.86 | 12           | 4-794681-2  |
| 4      | 19.00 | 12.00 | 16.30 | 15.86 | 10           | 4-794681-0  |
| 4      | 16.00 | 9.00  | 13.30 | 12.86 | 8            | 3-794681-8  |
| 4      | 13.00 | 6.00  | 10.30 | 9.86  | 6            | 3-794681-6  |
| 4      | 10.00 | 3.00  | 7.30  | 6.86  | 4            | 3-794681-4  |
| 4      | 7.00  | -     | 4.30  | 3.86  | 2            | 3-794681-2  |
| 1      | 40.00 | 33.00 | 37.30 | 36.86 | 24           | 2-794681-4  |
| 1      | 37.00 | 30.00 | 34.30 | 33.86 | 22           | 2-794681-2  |
| 1      | 34.00 | 27.00 | 31.30 | 30.86 | 20           | 2-794681-0  |
| 1      | 31.00 | 24.00 | 28.30 | 27.86 | 18           | 1-794681-8  |
| 1      | 28.00 | 21.00 | 25.30 | 24.86 | 16           | 1-794681-6  |
| 1      | 25.00 | 18.00 | 22.30 | 21.86 | 14           | 1-794681-4  |
| 1      | 22.00 | 15.00 | 19.30 | 18.86 | 12           | 1-794681-2  |
| 1      | 19.00 | 12.00 | 16.30 | 15.86 | 10           | 1-794681-0  |
| 1      | 16.00 | 9.00  | 13.30 | 12.86 | 8            | 794681-8    |
| 1      | 13.00 | 6.00  | 10.30 | 9.86  | 6            | 794681-6    |
| 1      | 10.00 | 3.00  | 7.30  | 6.86  | 4            | 794681-4    |
| 1      | 7.00  | -     | 4.30  | 3.86  | 2            | 794681-2    |

THIS DRAWING IS A CONTROLLED DOCUMENT.

DWN B. HAYMAKER 17AUG99  
 CHK K. COBLE 17AUG99  
 APVD K. COBLE 17AUG99

STC TE Connectivity

NAME VERTICAL HEADER ASSEMBLY, THRU HOLE, 15 GOLD, DUAL ROW, MICRO MATE-N-LOK™

SIZE A2 CAGE CODE 00779 DRAWING NO. C-794681 RESTRICTED TO

MATERIAL SEE TABLE

TOLERANCES UNLESS OTHERWISE SPECIFIED:  
 0 PLC ±  
 1 PLC ±  
 2 PLC ±0.20 [0.008]  
 3 PLC ±  
 4 PLC ±  
 ANGLES ±  
 FINISH

PRODUCT SPEC -  
 APPLICATION SPEC -  
 WEIGHT -

CUSTOMER DRAWING SCALE 4:1 SHEET 1 OF 1 REV F